



余姚纺织机械有限公司
YuYao Textile Machinery Co., Ltd.

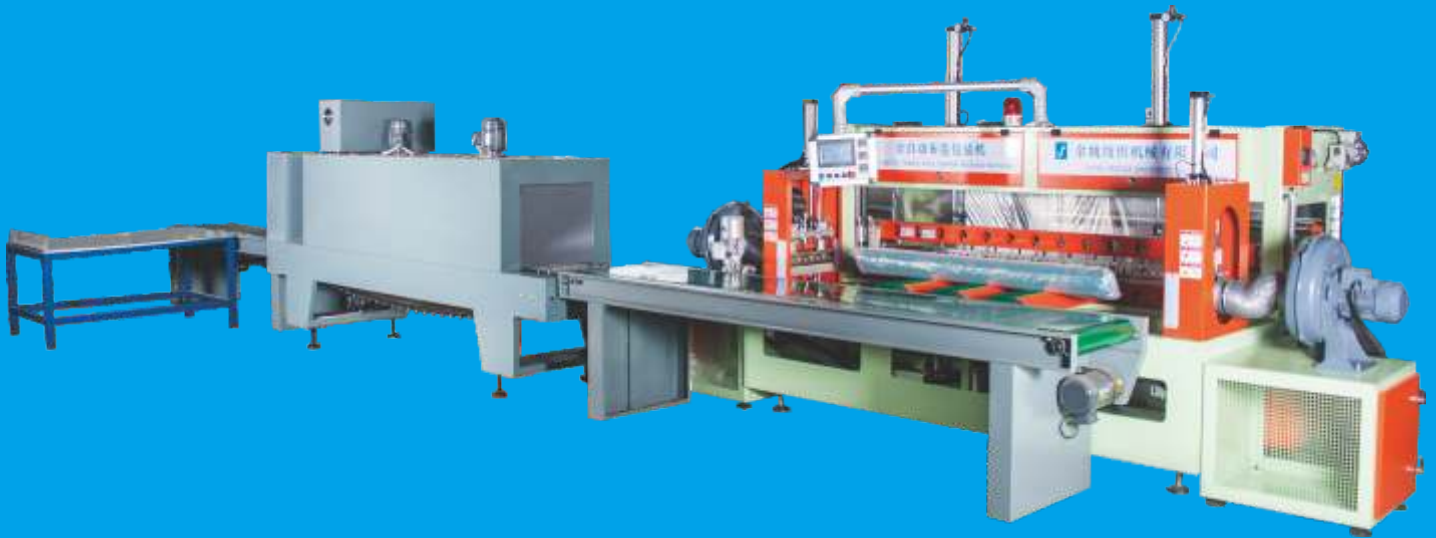
纺织产品后整理解决方案供应商，始创于1970年

始终专注于包装机、验卷机、检验机、对折卷布机等设备的研发、制造与销售
专业提供整套高智能、织物检测、自动包装、储存工程

Textile Products Finishing Solutions Provider, Since 1970

Always focus on R&D, manufacturing and sales of Packing machine, Inspecting-rolling machine,
Inspection machine, Doubling and rolling machine, etc.

Professional to provide a complete set of high intelligence, fabric testing, automatic packaging, storage engineering





余姚纺织机械有限公司位于浙江东部山川秀丽、历史悠久的文化名城——余姚。地处美丽富庶的长江三角洲南翼，归属于以上海为龙头的长三角经济圈。公司紧邻沪杭甬高速公路和杭甬铁路，东距国际港口宁波港40公里，宁波国际机场45公里，西距杭州国际机场100公里，北濒杭州湾，有着良好的地理环境和便捷的交通优势。

公司始创于1970年，自创立以来一直从事纺织产品后整理设备及相关产品的研发、制造与销售，是浙江省首家被全国纺织器材总公司确定的定点生产企业，为国内最先进的纺织机械产品生产企业之一，现为中国纺织机械器材工业协会理事单位。

历经40余年的艰苦创业和精心打造，公司总资产达1亿元，占地面积25000余平方米，厂房建筑面积15000余平方米，现有员工100余名，其中工程技术人员占35%以上，并与多家科研院所和院校建立了良好的科研合作关系。

今天的余姚纺织机械有限公司制造设备精良，拥有先进的激光切割机、数控折弯机、数控机床等一大批精密度高的硬件配套设备，拥有研发中心、机加工车间、冷作车间、装配车间及试验车间等，集研究开发、设计制造、销售服务于一体。在产品中率先启用先进的人机对话、PLC等控制手段，优先采用低噪音、高精度的传动构件与装置，大大改善工作环境。同时紧紧围绕市场发展需求，不断开发新产品，使产品在国内一直处于领先水平。我司凭借雄厚的技术实力以及多年的生产经验，成功研发出自动热塑膜布卷包装机、验卷机、检验机、对折卷布机及整理设备等五大系列产品，并为客户设计提供整套高智能、织物检测、自动包装、储存工程。

企业始终以“客户为中心、科技为先导、管理为基础”的发展理念，先后通过了省、部级鉴定和ISO9001国际质量体系标准认证，建立了严格的安全管理体系、质量管理体系和高效的生产物流体系，成功构建了完善的生产标准、完备的企业理念和贴心的售后服务，进一步提升了企业一体化的服务能力。

公司营销范围遍及全国300多个城市和地区，产品畅销祖国的大江南北，远销欧美、东南亚国家和地区。优质的产品配合贴心的服务，让您放心，本公司承诺所有设备一年包修、终身维护。

余姚纺织机械有限公司用四十多年的时间完成自己的光彩时代，未来的余姚纺织机械有限公司将继续乘势而上，继往开来，以强者的姿态独树一帜，智者的姿态快速响应。

热忱欢迎纺织业同仁莅临指导、洽谈业务。

YuYao Textile Machinery Co., Ltd. is situated in Yuyao, a time-honored city in the eastern part of Zhejiang Province in the South Wing of the Yangtze Delta, where there are beautiful landscapes, rich resources and dense population. It belongs to the Yangtze River Delta Economic Area led by Shanghai. Adjoining Shanghai-Hangzhou-Ningbo Expressway and Hangzhou-Ningbo Railway, the Company enjoys very favorable geographical conditions and traffic conditions. It is 40km away from the Port of Ningbo, 45km away from Ningbo International Airport, with 100km away from Hangzhou International Airport on the west, with Hangzhou Gulf on its near north.

Since its establishment in 1970, the Company has been ever since engaged in R&D, manufacturing and sales of after-finishing equipment of textile products, and is the first manufacturing enterprise designated by the National Textile Equipment Corporation, as well as one of the first batches of textile machinery manufacturers with cutting-edge technologies. It also serves as a council member of China Textile Machinery Association.

Through more than 40 years of endeavoring and hard working, the Company has brought its total assets up to 100 million yuan. It currently covers an area of above 25,000 square meters, in which over 15,000 square meters are used for plants. With over 100 employees, the number of engineering technicians accounting for 35% of the total, the Company has maintained good partnership with several scientific research institutions and a number of colleges and universities.

YuYao Textile Machinery Co., Ltd. excellent manufacturing equipment, with advanced laser cutting machine, CNC bending machine, CNC machine and many high precision hardware equipment, is equipped with an R&D center, machining workshops, cold working workshops, assembly workshops, tests plants, etc., and is engaged in R&D, design, manufacturing, sales and after-sales service. It takes the initiative to adopt man-machine conversation, PCL and other control measures, as well as low-noise, high-precision transmission components and devices, in its products, so as to improve the working environment. Meanwhile, it has managed to maintain its leading position in China by constantly developing new products that meet the changing market need. With its unparalleled technological strength and rich manufacturing experience, the Company has succeeded in developing automatic fabric roll thermal packing machines, inspecting-rolling machines, inspecting machines, doubling and rolling machines and finishing machines, and design for the customer to provide a complete set of high intelligence, fabric testing, automatic packaging, storage engineering.

The Company has been always sticking to the “customer-oriented, technology-leading and management-based” development idea, and has successively acquired authentication by provincial and ministerial authorities, as well as the ISO 9001 international quality system standard certification. With a strict safety management system, quality management system and effective production logistics system, the Company has established a complete set of manufacturing standard, mature corporate philosophy and caring after-sales service, and has improved the integrated service ability of the Company further.

The sales network of the Company spreads over more than 300 cities and areas in China, and even some countries and regions in Europe, America and Southeast Asia. The premium products, caring service and favorable warranty policy of “one-year guarantee repair and life-long maintenance” have won a large number of customers all over China for the Company.

After over 40 years of continuous development based on quality, YuYao Textile Machinery Co., Ltd. is now having its glory days. It will keep going forward as the powerful and the wise.

Guidance and business intentions from colleagues in the textile industry are warmly welcomed.

Customer-oriented, Technology-leading, Management-based

客户为中心、科技为先导、管理为基础

包装机系列

Packing Machine

P01-04

验卷机系列

Inspection & Rolling Machine

P05-15

对折卷板(筒)机/剖幅机

Automatic Folding On Plate & Roller Machine & Slitting Machine

P16-19

检验机系列

Inspection Machine

P20-21

其他

Others

P22-24



第四代新型全自动PE热缩包装机

Fully automatic PE-Pilmparking machine



用途 Purpose

新研制开发的第四代包装一体机，产品性能稳定，操作、维护方便，占地面积小，运输方便，功能齐全，安装便捷。主要用于棉纺织厂、印染厂、针织厂的整理车间，对各类织物卷装进行真空包装。

This machine is applicable to the finishing workshops of the cotton mill, dyeing plant, knitting plant in the vacuum packing of the diverse fabrics.

特性 Features

- 进口光纤检测实现布卷的直径检测；
- 进口刹车电机传动实现布卷的精确定位；
- 独特的空油转换系统实现封刀座的自由上升；
- 先进的PLC与人机界面配合实现操作无人化，动作的连续化及操作的智能化。
- 自由式的计高调节系统使布卷包装松紧自如。
- 大功率的抽风系统使布卷真正能够实现真空化。
- 封口方式：封口方式为三面封口（封刀温控器恒温）
- 使用膜卷采用上下供给PE膜方式（主封不产生废料）
- Imported optical fibre testing system for diameter detection of fabric roll;
- Driven by an imported braking motor for the accurate positioning of the fabric roll;
- Unique air-oil shifting system for a free lifting of the closure cutter base
- Advanced coordination between PLC and person-machine interface to effect the unmanned operation, continuous movements and intelligence operation
- Free height-counting adjustment system, allowing to adjust the tension of the fabric roll with facility
- Large power exhausting system to effect a real vacuum.
- Way of closing: a3-side closing(the closing cutter temperature controller is at constant temperature).
- Film rolling: Upper-and-lower PE film feeding(Main sealing doesn't generate waste material).

规格 Specifications

型号	ZB04A-180	ZB04B-240	Model
包装长度	1000-1800mm	1400-2400mm	Packing length
包装直径	100-400mm	100-600mm	Packing diameter
包装速度	5-7 卷/分钟 rolls/min	4-6 卷/分钟 rolls/min	Packing speed
机械尺寸	4000 × 2000 × 2250mm	4600 × 2000 × 2250mm	Dimension(LxWxH)
重量	1500kg	1800kg	Weight
功率	11kw	11.5kw	Power
气量	5-7kg 0.9m ³ /min（相当于7.5KW空压机自备）		Airamount

如果需要更进一步提升侧封口的美观度，可选用拍打装置。

If an even better look of the side seals is required, we could use the flapping device.



该主机拥有多项**发明专利**、**实用新型专利**、**外观专利**及**软件著作权**，能与国内外几乎所有的**验布机**、**卷布机**配套组合，自动测长、计高、封口、传送，完成织物的包装工作，整个包装过程**全自动化**。



单封
Single sealing

单封表面更美观
The former ensures a better look

双封
Double sealing

双封更节材、快捷
The latter helps save materials and time



第四代新型全自动织物检测热缩膜包装工程

Automatic fabric inspection hot shrink packaging engineering



用途 Purpose

自动化乃当今世界发展的主流，织物检测包装工程在国内是一片空白，所需设备都是依赖于进口，本公司针对国内市场需求，最新研制开发了这一套新型全自动织物检测包装工程，具有占地面积小，运输方便，操作简易、安装调试简捷、故障率少、节能、高效等特点，公司自推向市场后，深受广大用户的欢迎。该工程能够与国内外几乎所有验布、卷布机配套完成织物整理。并可以根据需要量身定制各种规格及满足不同功能要求的包装工程系列，为客户提供精良的设备和优质的服务。

Automatization is the mainstream in the development of nowadays' world. There is a gap at home in the fabric inspecting and packing engineering. The nation is dependent on importation from abroad for the needed equipment. In response to the domestic demands, our company has designed and developed this set of fully automatic fabric inspecting and packing engineering which can be applied in the supporting of almost any cloth-inspecting and rolling machines in both China and abroad to accomplish the finishing of the fabrics and also in position to construct the packing engineering series in different specifications to customers' adherent and different functional requirements, provide them with exquisite equipment and best services.

包装工程主要工艺流程 Main Technological Process of the Packing Engineering

- ◆由验布、卷布机完成织物的检验、打卷工作。
- ◆从验布、卷布至储布输送机完成布匹，分色工作。
- ◆储布工程完成之后便自动进入入布皮带输送机。
- ◆入布皮带输送机将布匹输送至PE膜自动包装机进行包装。
- ◆包装结束之后出中段皮带输送机将布匹送入末段皮带输送机。
- ◆末段皮带输送机将包装好的布匹送入热收缩机。
- ◆热收缩机对包装PE膜进行全方位收缩，使包装紧凑、平整。
- ◆出布滚筒输送机将收缩后的成品进行冷却，并将布送入储布台。
- ◆储布台对收缩成品进行二次冷却，并将来不及进行堆放的布匹短期储充。

注：入布皮带输送机以及储布输送机数量可以根据客户要求配置。

- ◆ Accomplishes the rolling and inspecting procedures from the cloth-inspecting and the cloth-rolling.
- ◆ Accomplishes the batching and color separation from the cloth inspecting, rolling to the cloth storage conveyor.
- ◆ Finishing the cloth-storage engineering is followed by automatic entry into the cloth-belt conveyor;
- ◆ The cloth-feeding belt conveyor carries the cloth into the PE film automatic packing machine for the automatic packing procedure;
- ◆ At finishing the packing, the cloth is carried from the middle section belt conveyor to the end section belt conveyor;
- ◆ The end belt conveyor carries the packed cloth to the thermal shrinkage machine;
- ◆ The thermal shrinkage machine contracts the PE film from all sides to attain a compact and neat packing;
- ◆ The cloth exit roller conveyor cools down the finished product after being shrunken and carries the cloth to the cloth storage table.
- ◆ The cloth storage table gives a second cooling to the shrunken product and a short time storage on itself for the cloth rolls that are still not stacked, yet.

Note: The number of both the cloth feeding conveyor and the storage. Conveyor is subject to the customer's requirement.

包装工程主要设备配置 Main Device Layout of the Packing Engineering

- 验卷机 4-8台
- 全自动PE包装机 1台
- 入布皮带输送机 1台
- 出布皮带输送机 1台
- 热收缩机 1台
- 90°滚动输送翻布机 1台
- 翻布台 1台

其中●配置数量根据实际需要，每台全自动PE包装机月产量可达8万卷装（八小时工作制）

- Inspecting-rolling machines: 4-8 units
- 1 unit of fully automatic PE packing machine
- Cloth-introduction belt conveyors: 4-8 units
- Cloth-exit belt conveyor: 1 unit
- Thermal shrinkage machine: 1 unit
- 90° rolling conveyance cloth turning machine: 1 unit
- Cloth turning table: 1 unit

For the ● marked items the number of composition depends on the actual need. Each unit of the fully automatic PE packing machine performs a monthly output as much as 8 million meters



主要配置设备规格 Main Composing Equipment Specifications

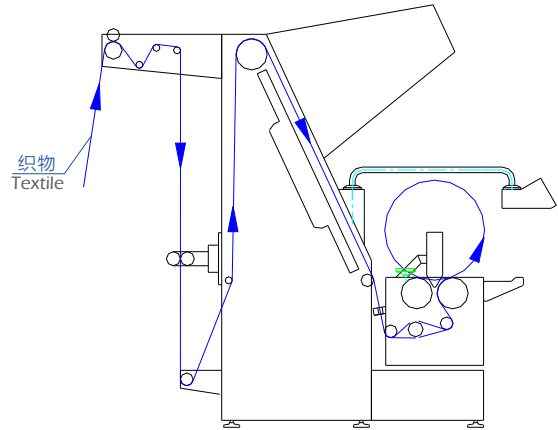
- ◆ 验卷机尺寸: 长度: 2430mm 高度: 2200mm 宽度: 2000mm
- ◆ 包装机尺寸: 长度: 4000mm 高度: 2250mm 宽度: 2000mm
- ◆ 收缩机尺寸: 长度: 3500mm 高度: 1700mm 宽度: 800mm
- ◆ 包装速率: 最高速: 5~7卷/分
- ◆ 包装应用范围: 圆卷直径: 100mm~420mm
圆卷长度: 900~1800mm
- ◆ 使用电力: a. 三相380V
b. 验卷机总功率 2.5kw
c. 包装机主机总计功率 11kw (实际功率 6kw)
d. 热收缩机功率 32kw (实际功率 11kw)
e. 滚筒输送机 0.18kw
f. 皮带输送机 0.18kw
- ◆ 使用空压: a. 压力 5~7kg/cm²
b. 气量 0.9 m³ / min (相当7.5kw空气压缩机)
(电源与空压源由买方自备)

- ◆ Packing machine dimension :(L × H × W) 4000mm × 2250mm × 2000mm
- ◆ Heat-Shrink machine dimension :(L × H × W) 3500mm × 1700mm × 800mm
- ◆ Packing speed : 5~7 rolls / min max.
- ◆ Applicable packing range : Rolling diameter : Φ100mm ~ 600mm
Circular roll length :900 ~ 2400mm
Sheet rolling size :Thickness lower than 300mm
- ◆ Power : a.3-phase 380V
b. Packing machine master unit total power : 11kw (actual power 6 kw)
c. Thermal shrinking machine power : 26 kw (actual power 11 kw)
d. Roller conveyor : 0.18kw
e. Belt conveyor : 0.18kw
- ◆ Compressed air : a. Pressure 5~7kg / cm²
b. Air amount : 0.5m³ / min (equivalent to 5HP air-compressor)
(Power and air supply are to buyer's preparation)



MB551F验卷机

MB551F Inspection and rolling machine



用途 Purpose

MB551F型系列验卷机主要用于棉纺织厂、印染厂、毛纺织厂、服装厂、人造毛皮厂及商检单位对各类织物进行检验并平幅卷筒，允许输入圆卷或折叠式织物，该机尤其适用出口织物的检验和卷装。

MB551F inspection and rolling machine is mainly used in cotton mill dyeing plant, wool mill, garment factory, man-made fur factory, artificial leather factory and by commodity-inspection units for the inspecting of the diverse fabrics and their full-width rolling. It allows to feed the fabrics in roll or folded way. Especially it is good for the inspecting and rolling of export fabrics.

特性 Features

- 变频无级调速控制验卷速度
- 光电控制自动对边
- 织物计长采用国内先进的电子计数器（可修正、定长、计米、码及累计功能，并可显示验卷速度）
- Frequency variation, stepless speed adjustment for controlling the inspection & rolling speed.
- Photoelectric device for automatic edge-alignment.
- The advanced electronic counter meter in China for the counting of the fabric length (amends, determines and totalizes the fabric length in meter, yard as well as displays the rolling speed).

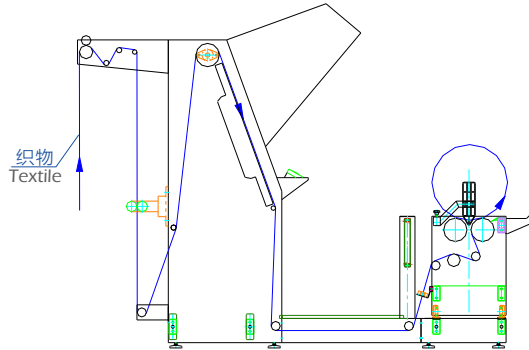
规格 Specifications

型号	MB551F	Model
最大卷布直径	350-800mm (随选 at choice)	Max diameter of fabric rolls
工作幅宽	1800-3200 mm (可选 optional)	Working width
验布速度	9-90m/min	Speed or rolling
卷绕齐边误差	≤6mm	Edge-aligning error for rolling
织物最大计长误差	0.50%	Max error for fabric length-counting
机械尺寸	2430 × 2200 × 2000mm (180型)	Dimension(LxWxH)
重量	1000kg	Weight

注：以上机器工作幅宽可增至4000mm

Note: Working width up to 4000mm





用途 Purpose

MB551 FB型系列验卷机适用于服装厂、人造皮毛厂、人造革厂及商检单位对各类织物进行检验并平幅卷筒，允许输入圆卷及折叠式的织物，该机尤其适用出口织物的检验和卷装（特别适用于修检）。

MB551 FB inspection and rolling machine is mainly used in cotton mill, dyeing plant, wool mill, garment factory, man-made fur factory, artificial leather factory and by commodity-inspection units the inspection of the diverse fabrics and their full-width rolling. It allows to feed the fabrics in roll or folded way Especially it is good for the inspecting and rolling of export fabrics.

特性 Features

- 变频无级调速控制验卷速度；
- 光电控制自动对边；
- 可修正电子计长仪（有计米、码、累计及定长自停功能，并可显示验卷在线速度，班次）；
- 国内首创利用辊筒差速专用装置随意调节验卷织物松紧程度；
- 本机采用操作站台，使检验台面贴近操作视线，更便修布及疵点分类；

注：可选配吸边器；

可选配进布处断布自停光电装置；

可选配自动或手动裁刀，

可选配长度及疵点的数据采集系统、条形码打印、电脑接口，实现电脑局域网连接，并可选配成品车间、成品仓库管理软件，以实现成品的入库、出库、检索等数据库管理。

- Frequency variation, stepless speed adjustment for controlling the inspection & rolling speed ;
- Photoelectric device for automatic edge-alignment;
- The advanced electronic counter mater in china for the counting of the fabric length(amends, determines and totalizes the fabric length in metre, yard as well as displays the rolling speed)
- Pioneered the use of special equipment for roller differential adjusted volume fabric tightness inspection;
- This machine uses the operation platform, examining table closer to the operation sight, more fabric and defect classification;

Note: the optional air Guide

optional fault stop photoelectric devices;

optional automatic or manual cutter;

optional length and defects of the data acquisition system, barcode printing, computer interface, computer local area network connection, and optional finished workshop, warehouse management software, in order to achieve the finished product receipt, approval, search and database management;

规格 Specifications

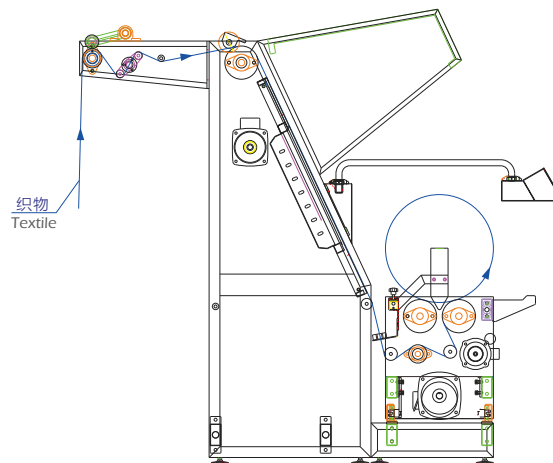
型号	MB551FB	Model
最大卷布直径	500-1200mm (随选 at choice)	Max diameter of fabric rolls
工作幅宽	1800--2400mm (可选 optional)	Working width
验布速度	5-55m/min	Speed or rolling
卷绕齐边误差	≤6mm	Edge-aligning error for rolling
织物最大计长误差	0.50%	Max error for fabric length-counting
机械尺寸	3050 × 2630 × 2430mm	Dimension(LxWxH)
重量	1100kg	Weight

注：以上机器工作幅宽可增至4000mm

Note: Working width up to 4000mm

MB551FL型验卷机

MB551FL Inspection and rolling machine



用途 Purpose

MB551FL型验卷机适用于棉纺织厂、印染毛纺织厂、服装厂、人造毛皮厂及商检单位对各类织物进行检验并平幅卷筒，允许输入圆卷及折叠式织物，该机尤其适用出口织物的检验和卷装。

MB551 FL inspection and rolling machine is mainly used for cotton textile factory, weaving factory, garment factories, shops and inspection unit of the inspection of all kinds of fabrics and full width-rolling

特性 Features

- 变频控制验卷速度和对边
- 光电控制对边
- 可修正电子计长（可修正、定长、计米、码及累计功能，并可显示在线速度）
- 采用品牌变频器，送布和卷取双变频控制检验织物张力，可任意调节检验织物的松紧程度，卷取和退卷时织物保持一定的张力，避免织物表面松弛，影响检验
- 配退卷用淌布斗
- Frequency variation stepless speed adjustment for controlling the inspection and rolling speed
- Photoelectric control on edge
- Correctable electronic length-counter meter (has the function of counting in meter yard, general total and automatic stop at a certain length, also displays linear speed and shift)
- Adopt brand frequency converter, Feed and fabric tension winding double frequency conversion control inspection fabric, can be arbitrary regulation test fabric tightness, coiling and uncoiling fabric keep certain tension, avoid fabric surface relaxation, impact test
- With uncoiling rack with back cloth

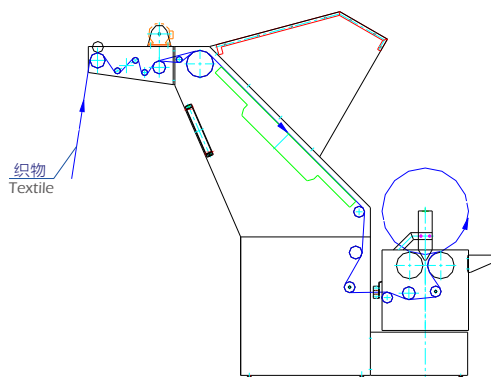
规格 Specifications

型号	MB551FL	Model
最大卷布直径	500mm	Max diameter of fabric rolls
工作幅宽	1800mm (可选 optional)	Working width
验布速度	5-90m/min	Speed or rolling
卷绕齐边误差	≤6mm	Edge-aligning error for rolling
织物最大计长误差	0.50%	Max error for fabric length-counting
机械尺寸	1600 × 2350 × 1800mm	Dimension(LxWxH)
重量	600kg	Weight

注：以上机器工作幅宽可增至4000mm

Note: Working width up to 4000mm





用途 Purpose

MB551F-45° 三扩验卷机主要用于印染厂、服装厂、针织厂及商检等单位，尤其适用于定型后针织布，对各类织物进行检验并平幅卷筒。

MB551F-45° Three Expansion Inspection and rolling machine is mainly applied in the finishing workshops of the non-woven fabric and coated fabric mills for edge-cutting, inspecting and rolling. furthermore, it can also be multi-strip-cutting and rolling

特性 Features

- 变频无级调速控制验卷速度；
- 光电控制自动对边；
- 织物计长采用国内先进的电子计数器（可修正、定长、计米、码及累计功能，并可显示验卷速度）
- 利用辊筒差速调节验卷织物的松紧；
- 进布处配有扩布辊，使台面上织物展开便于检验
- 台面下和卷绕辊前各配有一根扩布辊，使织物在卷绕时平整不卷进边；

注：

进布处可选配断布自停光电；

可选配自动或手动裁刀；

可选配成布检验数据采集与处理系统、打印装置、电脑控制系统；

可选配电子秤重及自动裁剪装置；

- Frequency variation, stepless speed adjustment for controlling the inspection&rolling speed;
 - Photoelectric device for automatic edge-alignment;
 - The advanced electronic counter mater in china for the counting of the fabric length(amends, determines and totalizes the fabric length in metre, yard as well as displays the rolling speed)
 - Using roller differential regulation of the volume of fabric tightness inspections;
 - At the fabric spreading feed roller, makes it easier for grabbing the fabric inspection;
 - Under the table and before the winding roll of the equipped with a spreading roller, causes when the fabric winding formation are not involved;
- optional fault stop photoelectric;
- optional automatic or manual cutter;
- optional test data acquisition and processing system, printing device, computer control systems;
- optional electronic weighing and automatic cutting device.

规格 Specifications

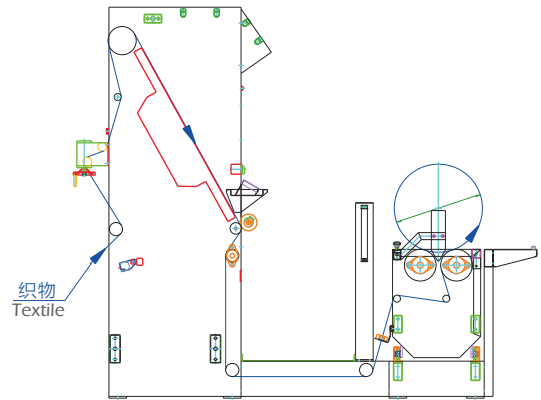
型号	MB551F-45°	Model
卷绕速度	0-90m/min	Speed of rolling
卷绕辊筒直径	φ 154 mm	Max Diameter of winding roller
最大卷布直径	φ 500mm	Max diameter of fabric rolls
卷绕齐边误差	≤6mm	Edge-aligning error for rolling
织物最大计长误差	± 0.5%	Max error for fabric length-counting
检验平面	45° (检验台面/Examining table)	Test plane
工作幅宽	1800-2400mm (可根据客户需要设计) (According to design)	Working width
机械尺寸	2710 × 2200 × 2000mm (180型)	Dimension(LxWxH)
重量	1000kg (180型)	Weight

注：以上机器工作幅宽可增至4000mm

Note: Working width up to 4000mm

MB551FB-Y验卷机

MB551FB-Y Inspection and rolling machine



用途 Purpose

MB551FB-Y验卷机主要用于棉纺织厂、印染厂、服装厂、针织厂及商检等单位，对各类织物进行检验并平幅卷筒

MB551FB-Y Inspection and rolling machine is mainly used in cotton mill, dyeing plant, wool mill, garment factory, knitting factory and commodity inspection units for the inspecting of the diverse fabrics and their full-width rolling.

特性 Features

- 变频无级调速控制验卷速度；
- 光电控制自动对边；
- 织物计长采用国内先进的电子计数器（可修正、定长、计米、码及累计功能，并可显示验卷速度）
- 利用棉花辊与不锈钢辊使布卷进适宜；
- 进布处通过蜗轮减速机控制张力辊；
- 送布电机与卷绕电机控制同步，达到无张力效果；
- 可选配气缸推布装置；
- Frequency variation, stepless speed adjustment for controlling the inspection&rolling speed
- Photoelectric device for automatic edge-alignment.
- The advanced electronic counter meter in China for the counting of the fabric length(amends, determines and totalizes the fabric length in metre, yard as well as displays the rolling speed)
- Cotton roller and stainless steel roller are used to make fabric winding convenient
- Worm reducer is used to control tension roller at the fabric feeding place.
- Cloth-feeding motor and winding motor are synchronous to achieve the tensionless effect
- May be optionally fitted with cylinder to push the fabrics.

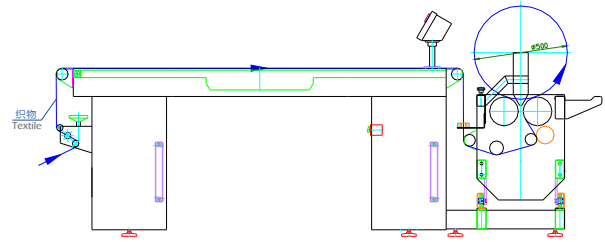
规格 Specifications

型号	MB551FB-Y	Model
最大卷布直径	500mm	Max diameter of fabric rolls
工作幅宽	2000mm	Working width
验布速度	5-60m/min	Speed or rolling
卷绕齐边误差	≤6mm	Edge-aligning error for rolling
织物最大计长误差	0.50%	Max error for fabric length-counting
机械尺寸	2700 × 2750 × 2220mm	Dimension(LxWxH)
重量	1500kg	Weight

注：以上机器工作幅宽可增至4000mm

Note: Working width up to 4000mm





用途 Purpose

M953平台验卷机主要用于印染厂、服装厂、针织厂及商检等单位等装饰面料的检验、修布及卷筒，也适用其它面料的检验和卷筒。

M953 Platform inspection and rolling machine is mainly applied in the finishing workshops of the non-woven fabric and coated fabric mills, for edge-cutting, inspecting and rolling. furthermore, it can also be multi-strip-cutting and rolling

特性 Features

- 变频无级调速控制验卷速度；
 - 光电控制自动对边；
 - 织物计长采用国内先进的电子计数器（可修正、定长、计米、码及累计功能，并可显示验卷速度）；
 - 利用辊筒差速调节验卷织物的松紧，
 - 采用平面式检验台面，可使操作者在机器两侧进行检验和修布；
 - 两侧采用脚踏开关，控制机器的运行和停止，便于操作者检验和修布。
- Frequency variation, stepless speed adjustment for controlling the inspection&rolling speed ,
 - Photoelectric device for automatic edge-alignment;
 - The advanced electronic counter mater in china for the counting of the fabric length(amends, determines and totalizes the fabric length in metre, yard as well as displays the rolling speed)
 - Using roller differential regulation of the volume of fabric tightness inspections;
 - Uses the plane type test table, enables the operator inspection and repair cloth on both sides of the machine;
 - On both sides of foot switches, control running and stopping of the machine for easy inspection and repair.

规格 Specifications

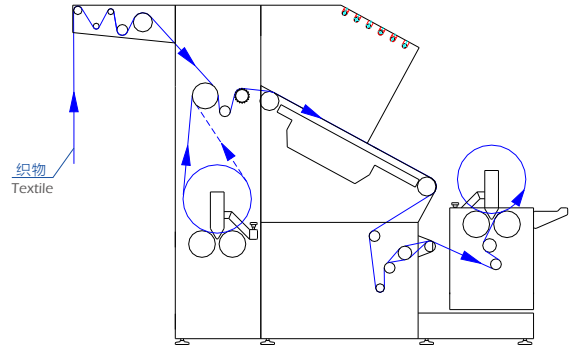
型号	M953	Model
卷绕速度	0-60m/min	Speed of rolling
卷绕辊筒直径	φ 154mm	Max Diameter of winding roller
最大卷布直径	φ 500mm	Max diameter of fabric rolls
卷绕齐边误差	≤6mm	Edge-aligning error for rolling
织物最大计长误差	± 0.5%	Max error for fabric length-counting
检验台面	平面式检验平台 Plane-type inspection table	Examining table
工作幅宽	1600mm、1700mm	Working width
机械尺寸	3345 × 1920 × 1170mm (160型) 3345 × 2020 × 1170mm (170型)	Dimension(LxWxH)
重量	650kg (160型) 700kg (170型)	Weight

注：以上机器工作幅宽可增至4000mm

Note: Working width up to 4000mm

MB551W型恒张力验卷机

MB551W Constant tension Inspection and rolling machine



用途 Purpose

MB551W型系列验卷机主要用于针织面料及无纺布等要求恒张力检验及卷取的织物进行检验并平幅卷筒，允许输入圆卷或折叠式织物。

MB551 W inspection and rolling machine is mainly used for knitting and non-woven fabrics than require constant tension inspecting and rolling in full width It allows to feed fabric in roll or folded way

特性 Features

- 采用多组变频无级同步变频调速，
- 多组轻型调节升降滚筒，分别调节各组马达速度，确保送布及卷取织物在恒张力下输送。
- 光电控制织物自动齐边；
- 采用可修正电子计长仪（有计米、码、定长及累计等功能，并可显示验卷速度），
- 国内首创利用辊筒差速专用装置随意调节验卷织物的松紧程度；
- 操作盒可随意转动，操作方便、舒适；
- 配有自动停车光电；

可选配成布检验数据采集与处理系统、打印装置、电脑控制系统；

可选配电子秤重及自动裁剪装置

- Frequency variation, stepless speed adjustment for controlling the inspection&rolling speed ;
- Multiple sets of light adjust the lifting cylinder, adjust the set motor speed, respectively, ensuring that feed and winding fabric under tension transmission
- Photoelectric device for automatic edge-alignment;
- The advanced electronic counter mater in china for the counting of the fabric length(amends, determines and totalizes the fabric length in metre, yard as well as displays the rolling speed)
- Pioneered the use of special equipment for roller differential adjusted volumes of fabric tightness inspection;
- Action box is free to rotate, easy and comfortable;
- Equipped with automatic stop optoelectronics;

optional test data acquisition and processing system, printing device, computer control systems;

optional electronic weighing and automatic cutting device.

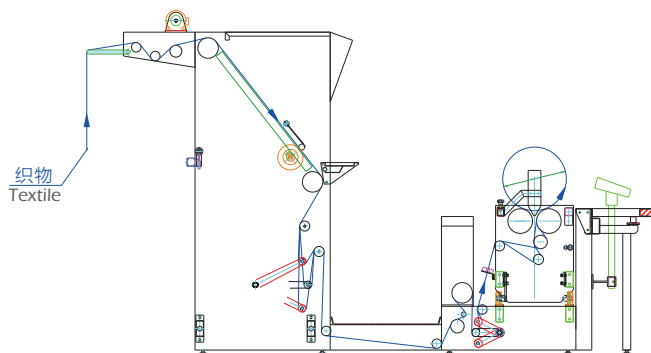
规格 Specifications

型号	MB551W	Model
最大卷布直径	500mm	Max diameter of fabric rolls
工作幅宽	2000-2600mm	Working width
验卷速度	5-60m/min	Speed of rolling
卷绕齐边误差	≤ 10mm	Edge-aligning error for rolling
织物最大计长误差	± 0.5%	Max error for fabric length-counting
机械尺寸	3300 × 3100 × 2000mm	Dimension(LxWxH)
重量	1000-1200kg	Weight

注：以上机器工作幅宽可增至4000mm

Note: Working width up to 4000mm





用途 Purpose

MB551WB型系列验卷机主要用于针织面料及无纺布等要求恒张力检验及卷取的织物进行检验并平幅卷筒，允许输入圆卷或折叠式织物。

MB551 WB inspection and rolling machine is mainly used for knitting and non-woven fabrics than require constant tension inspecting and rolling in full width It allows to feed fabric in roll or folded way

特性 Features

- 采用多组变频无级同步变频调速；
- 多组轻型调节升降滚筒，分别调节各组马达速度，确保送布及卷取织物在恒张力下输送。
- 光电控制织物自动齐边；
- 采用可修正电子计长仪（有计米、码、定长及累计等功能，并可显示验卷速度），
- 国内首创利用辊筒差速专用装置随意调节验卷织物的松紧程度；
- 配有自动停车光电；

可选配成布检验数据采集与处理系统、打印装置、电脑控制系统；

可选配电子秤重及自动裁剪装置

- Frequency variation, stepless speed adjustment for controlling the inspection&rolling speed ;
- Multiple sets of light adjust the lifting cylinder, adjust the set motor speed, respectively, ensuring that feed and winding fabric under tension transmission
- Photoelectric device for automatic edge-alignment;
- The advanced electronic counter mater in china for the counting of the fabric length(amends, determines and totalizes the fabric length in metre, yard as well as displays the rolling speed)
- Pioneered the use of special equipment for roller differential adjusted volumes of fabric tightness inspection;
- Equipped with automatic stop optoelectronics

optional test data acquisition and processing system, printing device, computer control system

optional electronic weighing and automatic cutting device

规格 Specifications

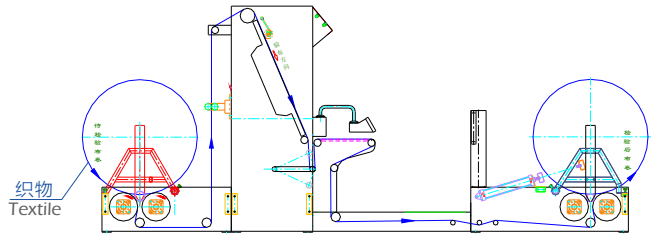
型号	MB551WB	Model
最大卷布直径	500mm	Max diameter of fabric rolls
工作幅宽	1800-2600mm	Working width
验卷速度	5-60m/min	Speed of rolling
卷绕齐边误差	≤10mm	Edge-aligning error for rolling
织物最大计长误差	±0.5%	Max error for fabric length-counting
机械尺寸	3600×2400×2000mm (180型)	Dimension(LxWxH)
重量	1000-1200kg	Weight

注：以上机器工作幅宽可增至4000mm

Note: Working width up to 4000mm

M204HX大验卷机

M204HX Large fabric roll inspection and rolling machine



用途 Purpose

M204HX大验卷机主要适用于纺织厂，印染厂等单位，将待检织物以大卷的形式对织物进行恒张力检验摩擦打卷。

M204HX large fabric roll inspection and rolling machine is mainly used for textile, dyeing factories, and other units, will be waiting with large take-up fabric in the form of constant tension test fabric friction play big volume

特性 Features

- 变频无级调速
- 光电控制自动齐边
- 配置专业的修布台面和浮动辊调节翻布进行反面修补
- 无布停车装置
- 电子计长仪（可修正，定长，计米，码及累计功能，并可以显示验卷速度）
- 可选电脑接口
- 可选配疵点计数器及电脑控制系统，可同时对各类疵点进行累积计数，及时准确的打印出疵点的位置及等级，真实反映布匹的实际质量状况
- Frequency steeples speed regulation
- Configuring a professional repair table cloth floating roller turned negative regulator repair
- Photoelectric device for automatic edge-alignment
- No cloth stopping device
- Electronic length meter (amends, determines and totalizes the fabric length in metre, yard as well as displays the rolling speed)
- optional computer interface
- optional defect counter and computer control systems, which can be accumulated on the various types of defect count timely and accurate location and print out the defect level, a true reflection of the actual quality of cloth

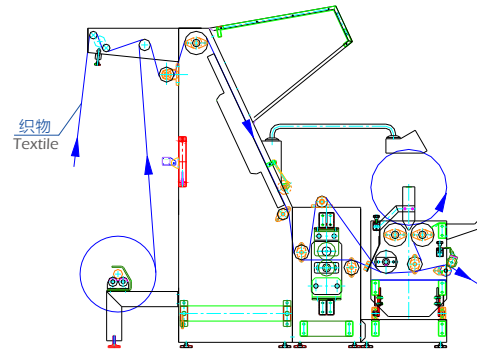
规格 Specifications

型号	M204HX	Model
最大卷布直径	1500mm	Max diameter of fabric rolls
最大退卷直径	1500mm	Maximum diameter of back cloth
工作幅宽	1800-2400 (可选 optional)	Working width
卷绕速度	5-50m/min (无级 stepless)	Speed of rolling
卷绕齐边误差	≤6mm	Edge-aligning error for rolling
织物最大计长误差	±0.5%	Max error for fabric length-counting
机械尺寸	5600×2550×2400mm (180型)	Dimension(LxWxH)
重量	1800kg (180型)	Weight

注：以上机器工作幅宽可增至4000mm

Note: Working width up to 4000mm





用途 Purpose

MB551F-TS验卷机主要用于无纺布厂、涂层布厂后整理车间，对无纺布、涂层布进行切边、检验、打卷。也可采用多刀分切、打卷

MB551F-TS Inspection and rolling machine is mainly applied in the finishing workshops of the non-woven fabric and coated fabric mills for edge-cutting, inspecting and rolling. furthermore, it can also be multi-strip-cutting and rolling

特性 Features

- 变频无级调速控制验卷速度；
- 光电控制织物自动对中；
- 采用可修正电子计长仪（有计米、码、累计及定长自停等功能，并可显示验卷在线速度、班次）；
- 国内首创利用辊筒差速专用装置随意调节验卷织物松紧程度，
- 采用多组间距可调割刀（冷切、热切、气动切，切割形式可选），实现宽度要求的多条分切，最小分切宽度70mm；
- 采用停车退卷止动，通过光电控制横移式退卷装置实现织物切边或多条分切，可选配自动或手动裁刀。

- Frequency variation, stepless speed adjustment for controlling the inspection&rolling speed;
 - Photoelectric device for automatic edge-alignment;
 - The advanced electronic counter meter in china for the counting of the fabric length(amends, determines and totalizes the fabric length metre, yard as well as displays the rolling speed)
 - Pioneered the use of special equipment for roller differential adjusted volume fabric tightness inspection;
 - Group interval adjustable cutting knife (cold cut, fervent, pneumatic cutting, cutting forms can be selected), multiple cutting width requirements, minimum slitting width: 70mm;
 - Stop and Rewind through photoelectric control traverse-Rewind device fabric trimming or cutting;
- optional automatic or manual cutting knife

规格 Specifications

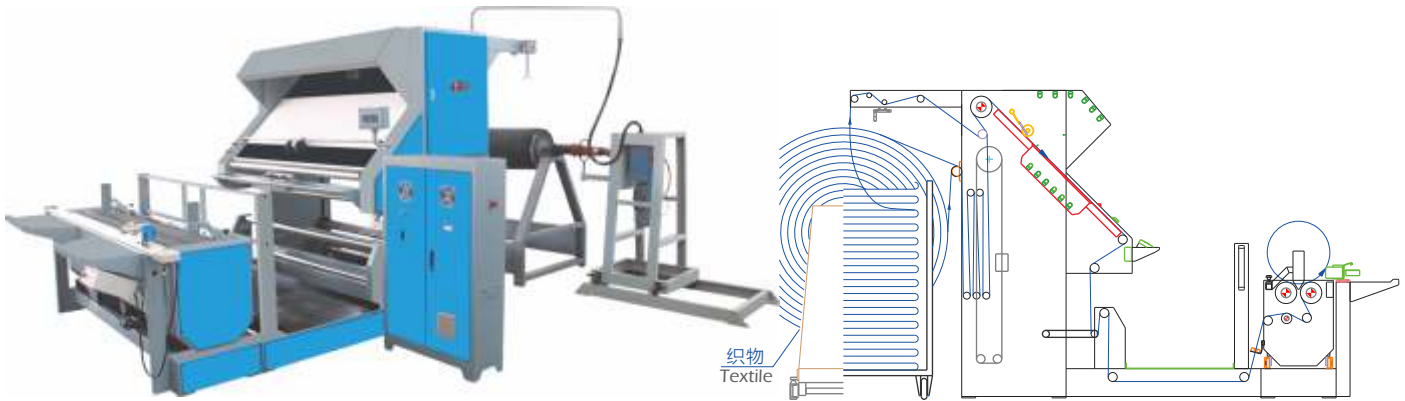
型号	MB551F-TS	Model
最大卷布直径	500-1200mm	Max diameter of fabric rolls
最小分切宽度	≥70mm	Maximum diameter of back cloth
工作幅宽	1800-2400mm (可选 optional)	Working width
验卷速度	5-55m/min (无级 stepless)	Speed of rolling
卷绕齐边误差	≤6mm	Edge-aligning error for rolling
织物最大计长误差	0.50%	Max error for fabric length-counting
机械尺寸	3050 × 2630 × 2430mm	Dimension(LxWxH)
重量	1300kg	Weight

注：以上机器工作幅宽可增至4000mm

Note: Working width up to 4000mm

MB551FB-TM验卷机

MB551FB-TM Inspection and rolling machine



用途 Purpose

MB551FB-TM型系列验卷机主要用于纺织、印染等单位，将待检织物以大卷装（含A字架）直接连接本机动力的形式对各类织物进行同步、恒张力、平幅检验同时平幅卷筒。

Mb551 FB-TM inspection and rolling machine is mainly used in the textile, dyeing factories, and other units, inspect various fabric in full width synchronously, with constant tension by directly linking the large fabric roll (including A-frame) to the power unit of the machine.

特性 Features

- 光电控制自动齐边；
- 变频无级调速；
- 织物计长采用国内先进的电子计长仪（可修正、定长、计米、码及累计功能，并可显示验卷速度）；
- 本机设有疵点计数器，可同时对各类疵点进行累积计数，有助于操作者统计和织物分等；
- 首创随意调节织物卷筒的松紧程度；
- 可选配国产及进口自动裁刀；
- 可选配进口或国产长度及疵点打印装置
- Photoelectric device for automatic edge-alignment
- Frequency steeples speed regulation
- The advanced electronic counter meter in China for the counting of the fabric length (amends, determines and totalizes the fabric length in metre, yard as well as displays the rolling speed)
- Fitted with an electronic device for the counting of the diverse defects, which is helpful to statistics and classification of fabrics
- Pioneering system—a roller speed differential device for free adjustment of the tension of the fabric rollers
- May be optionally fitted with imported or China-made auto cutter
- May be optionally fitted with imported or China-made length and defect point printer

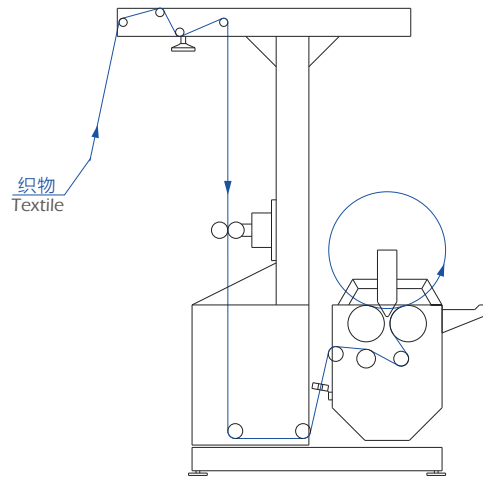
规格 Specifications

型号	MB551FB-TM	Model
最大退卷直径	1500 mm	Maximum diameter of back cloth
工作幅宽	1800-2400mm (可选 optional)	Working width
验布速度	5-50m/min	Speed or rolling
最大卷绕直径	500	Max. Re-winding Diameter
机械尺寸	2430 × 2200 × 2000mm (180型)	Dimension(LxWxH)
重量	1000kg	Weight
电气规格	3Phase-380V;50HZ	Electric Specs

注：以上机器工作幅宽可增至4000mm

Note: Working width up to 4000mm





用途 Purpose

M951A型平幅卷筒机适用于毛纺织厂、棉纺织厂、人造毛皮厂、服装厂及印染厂的后整理车间。对各类织物进行平幅卷筒。输入织物允许折叠式或圆卷式，其成品即可包装出厂

M951A Rolling machine is suitable for the woolen mill, cotton textile factory, artificial fur factory, garment factory and dyeing finishing workshop. For all kinds of fabrics for open-width drum. Input fabric allows folding or round roll type, its product packaging to the factory

特性 Features

- 变频调速进行卷取，
 - 采用光电及专用齐边调节器自动跟踪齐边；
 - 织物计长采用国内最先进的电子计数器（可修正、定长、计米、码及累计功能，并可显示验卷速度）；
 - 国内首创利用辊筒差速专用装置随意调节验卷的松紧程度；
- 可选配进口国产自动或手动裁刀。
- Frequency variation, stepless speed adjustment for controlling the inspection&rolling speed;
 - Photoelectric device for automatic edge-alignment;
 - The advanced electronic counter mater in china for the counting of the fabric length(amends, determines and totalizes the fabric length in metre, yard as well as displays the rolling speed)
 - Pioneered the use of special equipment for roller differential adjust tightness check volume
- optional imports of China-made automatic knives or the manual.

规格 Specifications

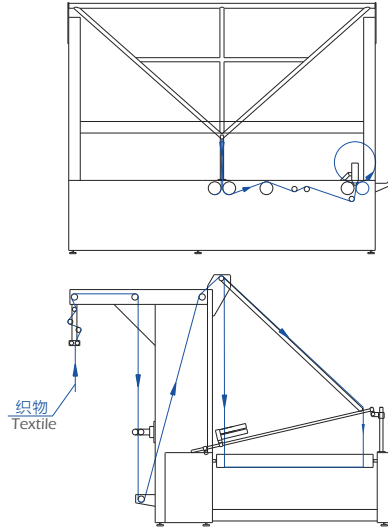
型号	MB951A	Model
最大卷布直径	500-1200mm (随选 at choice)	Max diameter of fabric rolls
工作幅宽	1800-2400mm (可选 optional)	Working width
验卷速度	9-90m/min (无级 stepless)	Speed of rolling
卷绕齐边误差	≤6mm	Edge-aligning error for rolling
织物最大计长误差	± 0.5%	Max error for fabric length-counting
机械尺寸	1640 × 2350 × 2000mm	Dimension(LxWxH)
重量	600kg	Weight

注：以上机器工作幅宽可增至4000mm

Note: Working width up to 4000mm

MB541CJ对折卷筒机

MB541CJ Folding and rolling machine



用途 Purpose

MB541CJ对折卷筒机用于棉纺织厂、印染厂的整理车间，对各类阔幅织物进行对折打板和对折卷筒。

MB541CJ Folding and rolling machine is applicable in the finishing workshops of the cotton mill dyeing plant to give doubling-plating or doubling-rolling to the diverse large width fabrics

特性 Features

- 机器采用型材焊接，钢板折边成型，造型美观，轻巧、实用
- 变频无级调速控制卷布速度
- 光电控制齐边达到自动齐边的目的
- 可修正电子计长仪（有计米、码、累计及定长自停功能，并可显示在线速度、班次）
- 齐边采用二套液压控制，实现门幅变化对边光电装置自动跟踪布边
- 本机自动化程度高，操作简单
- Machine profile welding, steel folding shape, selection of beautiful, lightweight, practical;
- Frequency variation, stepless speed adjustment for controlling the inspection&rolling speed;
- Photoelectric device for automatic edge-alignment;
- The advanced electronic counter mater in china for the counting of the fabric length(amends, determines and totalizes the fabric length in metre, yard as well as displays the rolling speed)
- Align edges with hydraulic control, achieve the width change on photoelectric automatic track edges
- This high degree of automation, easy operation.

规格 Specifications

型号	MB541CJ	Model
工作幅宽	1200-1800mm	Working width
最大卷筒直径	600mm	Max diameter of roller-rolling
卷取平均速度	50m/min	Average speed of rolling
卷取齐边误差	≤8mm	Edge-aligning tolerance for winding
机械尺寸	2660 × 2120 × 2300mm	Dimension(LxWxH)
重量	1000kg	Weight

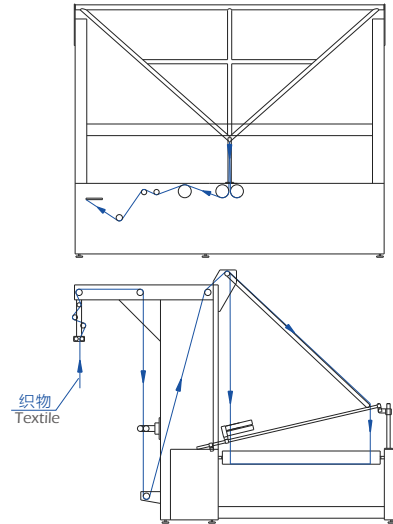
注：以上机器工作幅宽可增至4000mm

Note: Working width up to 4000mm



MB541AB对折卷板机

MB541AB Double folding on plate machine



用途 Purpose

MB541AB对折卷板机用于棉纺织厂、印染厂的整理车间，对各类阔幅织物进行对折打板或卷筒。

MB541AB Double folding on plate machine is applicable in the finishing workshops of the cotton mill dyeing plant to give doubling-plating or doubling-rolling to the diverse large width fabrics

特性 Features

- 变频无极调速控制验卷速度.
- 光电控制齐边达到自动齐边的目的
- 织物计长采用国内现金的电子计数器（可修正、定长、计米、码及累计功能，并可显示验卷速度）
- 齐边采用液压控制，实现门幅变化对边光电装置自动跟踪布边。
- Frequency variation, stepless speed adjustment for controlling the inspection&rolling speed,
- Photoelectric device for automatic edge-alignment;
- The advanced electronic counter mater in china for the counting of the fabric length(amends, determines and totalizes the fabric length in metre, yard as well as displays the rolling speed)
- Two sets of hydraulic controllers for edge alignment and photoelectric device to automatically follow up the fabric edge at the width- change

规格 Specifications

型号	MB541AB	Model
工作幅宽	1200-1800mm	Working width
最大卷板尺寸	长径500mm	Max Diameter of fabric rools
最大卷筒直径	600mm	Max diameter of roller-rolling
卷取平均速度	50m/min	Average speed of rolling
卷取齐边误差	≤8mm	Edge-aligning tolerance for winding
外形尺寸	4100x2220x2000mm	Dimension
重量	1000kg	Weight

注：以上机器工作幅宽可增至4000mm

Note: Working width up to 4000mm



F-V开幅摆布机

F-V Open a manipulating machine



用途 Purpose

F-V开幅摆布机适用于纯棉、化纤等圆筒织物的剖幅，可进行检验卷筒或摆幅。变频无级调速控制卷筒或摆幅速度。织物计长采用先进的电子计数器（可修正、定长、计米、码功能，可显示在线速度）。

F-V Open a manipulating machine is suite for the cloth-cutting and breath-opening of pure cotton cloth, chemical fiber and other tubular fabric. It can inspect-rolling & swaying width-cloth. Frequency variation, stepless speed adjustment for controlling the inspection-rolling & width-cloth speed The advanced electronic counter meter for the counting of the fabric length(amends, determines and totalizes the fabric length in meter, yard, also displays liner speed)

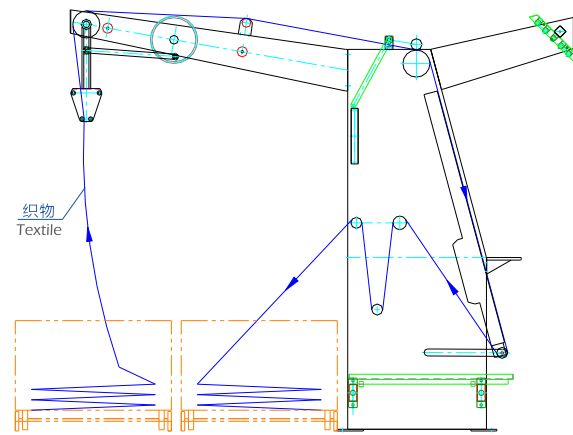
规格 Specifications

型号	F-V	Model
最大卷布直径	500mm	Max diameter of fabric rolls
工作幅宽	1800-2400mm	Working width
验卷速度	5-40m/min (无级 stepless)	Speed of rolling
卷绕齐边误差	≤6mm	Edge-aligning error for rolling
织物最大计长误差	±0.5%	Max error for fabric length-counting

注：以上机器工作幅宽可增至4000mm

Note: Working width up to 4000mm





用途 Purpose

N801B-H型检验机主要用于毛纺织厂、针织厂的整理车间及精粗梳毛纺、棉布、化纤混纺及针织织物进行检验。及时发现疵点，依次分别织物等级，并可精确测量织物长度。

N801B-H Inspection Machine is mainly used in cotton mill, dyeing plant, wool mill, garment factory, man-made fur factory, artificial leather factory and by commodity-inspection units the inspection of diverse fabrics and their full-width rolling, It allows to feed the fabrics in roll or folded way. Especially it is good for the inspection and rolling of export fabrics.

特性 Features

- 变频无极高速。
- 织物计长采用国内先进的电子计数器（可修正、定长、计米、码及累计等功能，并可显示检验速度）；
- 织物可正向、逆向运行。

可选配成布检验数据采集与处理系统，可同时对各类疵点进行累积计数，有助于操作者统计和织物分等。

- Frequency conversion and stepless speed adjustment.
- The advanced electronic counter mater in china for counting of the fabric length (amends, determines and totalizes the fabric length in metre, yard as well as displays the rolling speed)
- Fabric forward and reverse run.

optional test data acquisition and processing system, and various types of defects accumulation counting, helps the operator statistics and grading of fabrics.

规格 Specifications

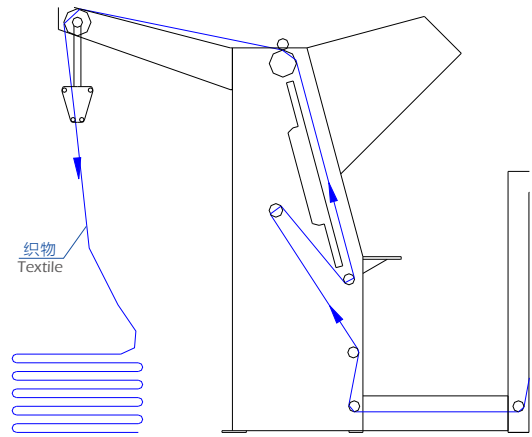
型号	N801B-H	Model
检验幅宽	1800-2400mm (可选 optional)	Inspecting width
检验速度	0-30m/min (无级 stepless)	Rolling speed
计量误差	± ≤0.4%	Measuring error
机械尺寸	2500 × 3200 × 2450mm	Dimension(LxWxH)
重量	700kg	Weight

注：以上机器工作幅宽可增至4000mm

Note: Working width up to 4000mm

N801B-E型检验机

N801B-E Inspection Machine



用途 Purpose

N801B-E型检验机主要用于棉纺织厂、印染厂、针织厂的整理车间，对各类织物进行检验，及时发现及处理织物上的疵点，依次分别织物等级，并可精确测量织物长度。

N801B-E Inspection and rolling machine is mainly used in cotton mill, dyeing plant, wool mill, garment factory, man-made fur factory, artificial leather factory and by commodity-inspection units the inspection of the diverse fabrics and their full-width rolling. It allows to feed the fabrics in roll of folded way, Especially it is good for the inspection and rolling of export fabrics.

特性 Features

- 变频无极调整。
- 织物计长采用国内先进的电子计数器（可修正、定长、计米、码及累计等功能，并可显示检验速度）；
- 内、外照明适合不同工作环境，且具有防尘外罩；
- 织物可正向、逆向运行。

可选配成布检验数据采集与处理系统，可同时对各类疵点进行累积计数，有助于操作者统计和织物分等

- Frequency conversion and stepless speed adjustment.
- The advanced electronic counter mater in china for the counting of the fabric length(amends, determines and totalizes the fabric length in metre, yard as well as displays the rolling speed.
- Interior and exterior lighting for different work environments, and has a dust jacket.
- Fabric forward and reverse run.

optional test data acquisition and processing system, and various types of defects accumulation counting, helps the operator statistics and grading of fabrics.

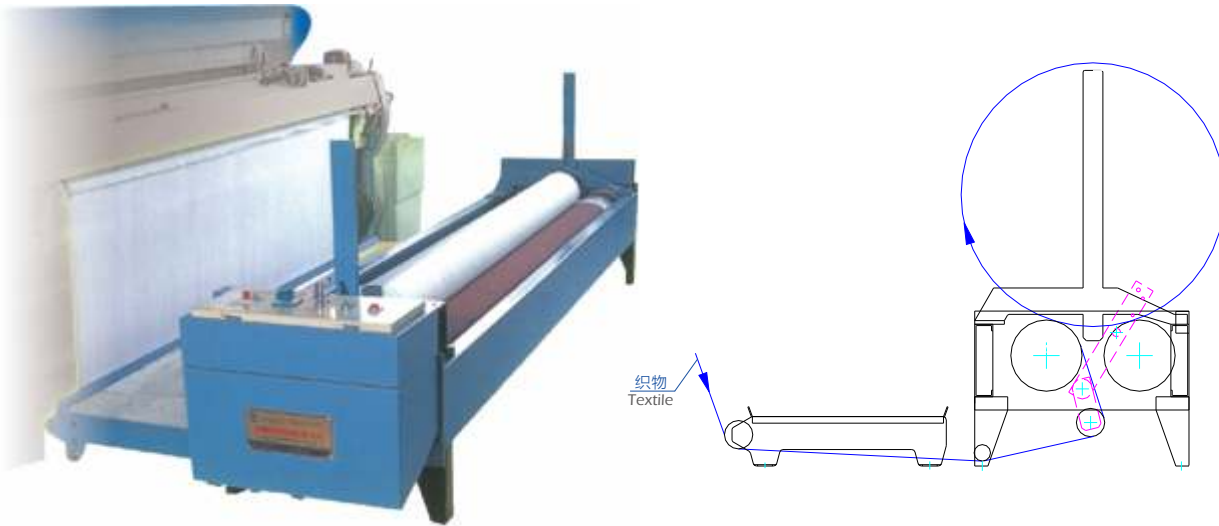
规格 Specifications

型号	N801B-E	Model
检验幅宽	1800-2400mm (可选 optional)	Inspecting width
检验速度	0-45m/min (无级 stepless)	Rolling speed
计量误差	≤ ±0.4%	Measuring error
机械尺寸	2500 × 3200 × 2450mm	Dimension(LxWxH)
重量	700kg	Weight

注：以上机器工作幅宽可增至4000mm

Note: Working width up to 4000mm





用途 Purpose

ZJS01型系列织机收卷机适用与纺织厂的织布车间，作为大卷装自动收卷用。
ZJS01 Loom rolling machine is suitable for automatic rolling of large package in weaving shed.

特性 Features

- 配用优质蜗轮减速电机
- 收卷直径可达1500mm
- 令利用松紧架调节收卷织物的松紧程度
- Fitted with quality worm reduction motor.
- Rolling diameter up to 1500mm.
- Adjusting the tension of rolling fabric through a tension bracket.

规格 Specifications

型号	ZJS01	Model
最大卷筒直径	1500mm	Max diameter of roller-rolling
工作幅宽	1800-2400mm (可选 optional)	Working width
验卷速度	2.1m/min (无极 stepless)	Rolling Speed

注：以上机器工作幅宽可增至4000mm

Note: Working width up to 4000mm

零配件

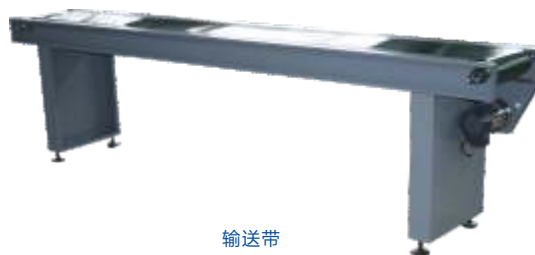
Accessory Parts

收卷、倒布、剖布机根据客户要求定制；
根据客户要求设备进行改造；
供应以下产品配件配品：

Winding, fabric, fabric slitting machines according to customer's requirements;
Equipment modifications according to customer requirements;
Supply the following products Accessories products:



淌布斗
Cloth shedding buckets



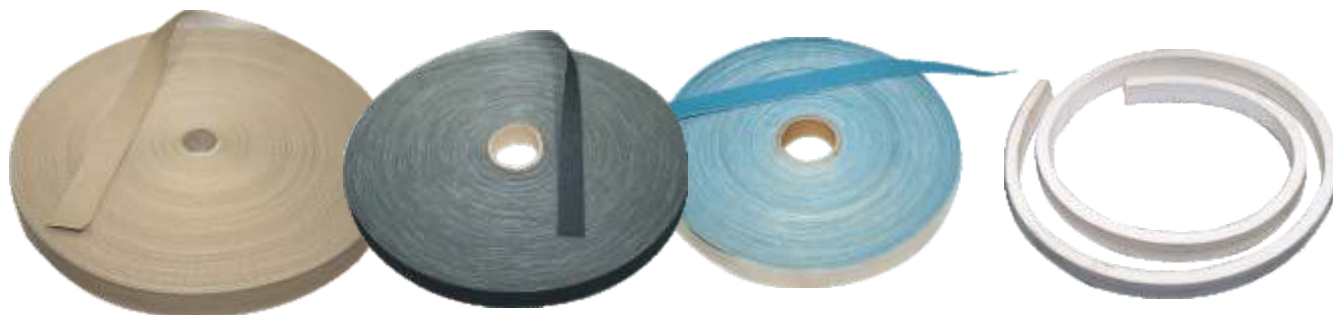
输送带
Conveyer belts



计长仪
Length measuring instrument



电器元件
Electrical components



配件
Accessory



余姚纺织机械有限公司
YuYao Textile Machinery Co., Ltd.



纺织产品后整理解决方案供应商，始于1970年
Textile Products Finishing Solutions Provider, Since 1970

地 址：中国浙江省余姚市舜水北路139号(市体育馆对面)
Address : No.139, Shunshui Road(N), Yuyao, Zhejiang Province, China

邮 箱：info@yyfangji.com.cn
E-Mail : info@yyfangji.com.cn

总办：0574-62632508
General Manager Office : +86-574-62632508

传 真：0574-62632794
Fax : +86-574-62632794

内贸部：0574-62633860
Domestic trade department : +86-574-62633860

外贸部：0574-62898595
Ministry of Foreign Trade : +86-574-62898595 M.T. : 13867821199

售后热线：0574-62632508
After-Sale Service Hotline : +86-574-62632508